

Hi-Fi Products Service Bulletin

CSA-13

Sony Service Company - Technical Services
A Division of Sony Electronics Inc.
Sony Drive, Park Ridge, New Jersey 07656

Model: SEQ-711

No. 413

Subject: Correction of IC421 Block Diagram

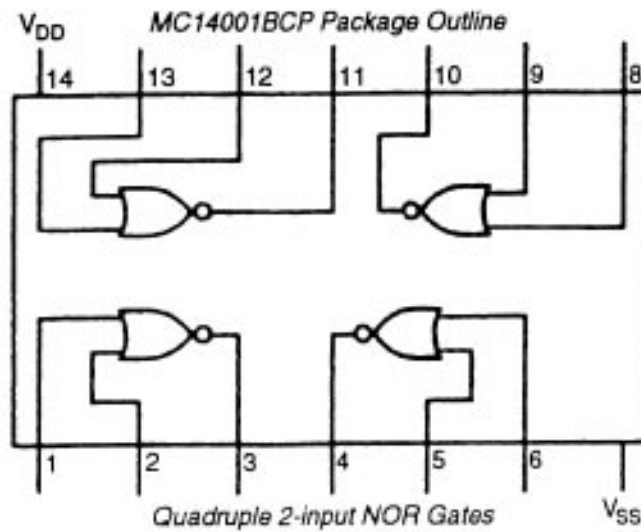
Date: September 28, 1994

Symptom:

(**)

The block diagram of IC421 (MC14001BCP) is shown incorrectly on page 13 of the Service Manual.

Solution: The correct block diagram is shown below.



Filename: HFP0413.SB
Directory: J:\SBDOC\SEP94
Template: C:\WINWORD\S_BULL.DOT
Title: Correction of IC421
Subject:
Author: Hoyt Wing Lee
Keywords:
Comments:
Creation Date: 09/28/94 1:11 PM
Revision Number: 2
Last Saved On: 09/28/94 1:11 PM
Last Saved By: Hoyt Wing Lee
Total Editing Time: 0 Minutes
Last Printed On: 04/01/96 10:56 AM
As of Last Complete Printing
Number of Pages: 2
Number of Words: 102 (approx.)
Number of Characters: 585 (approx.)